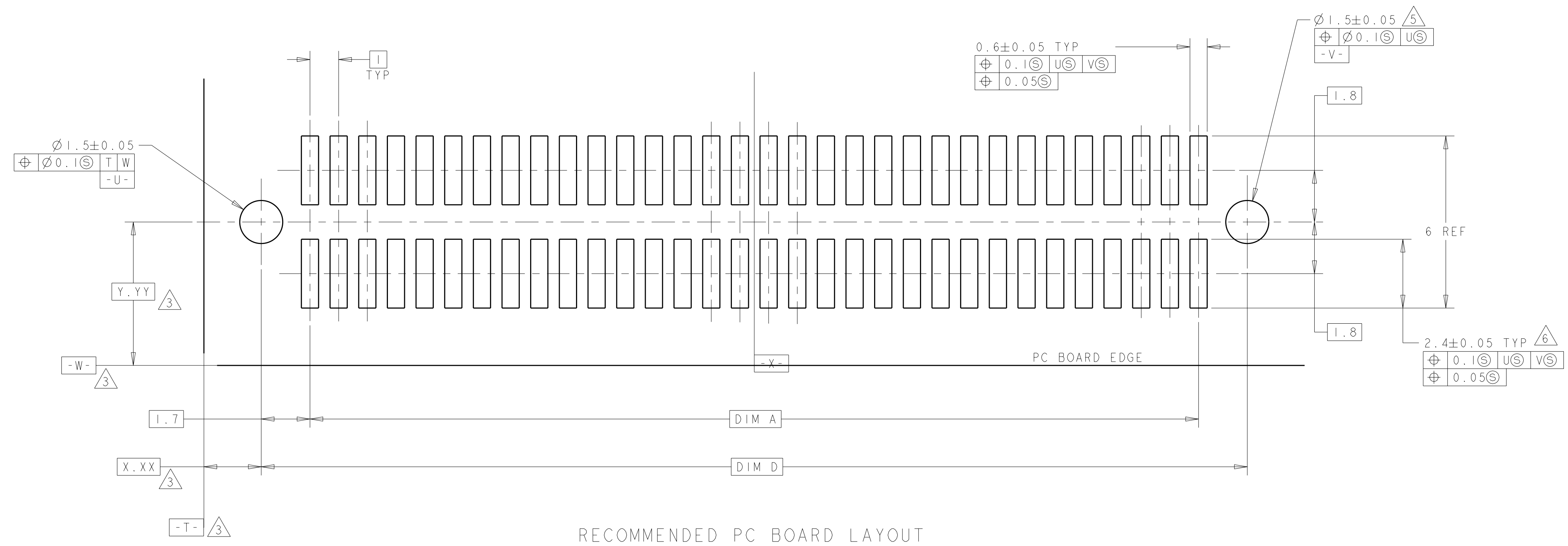
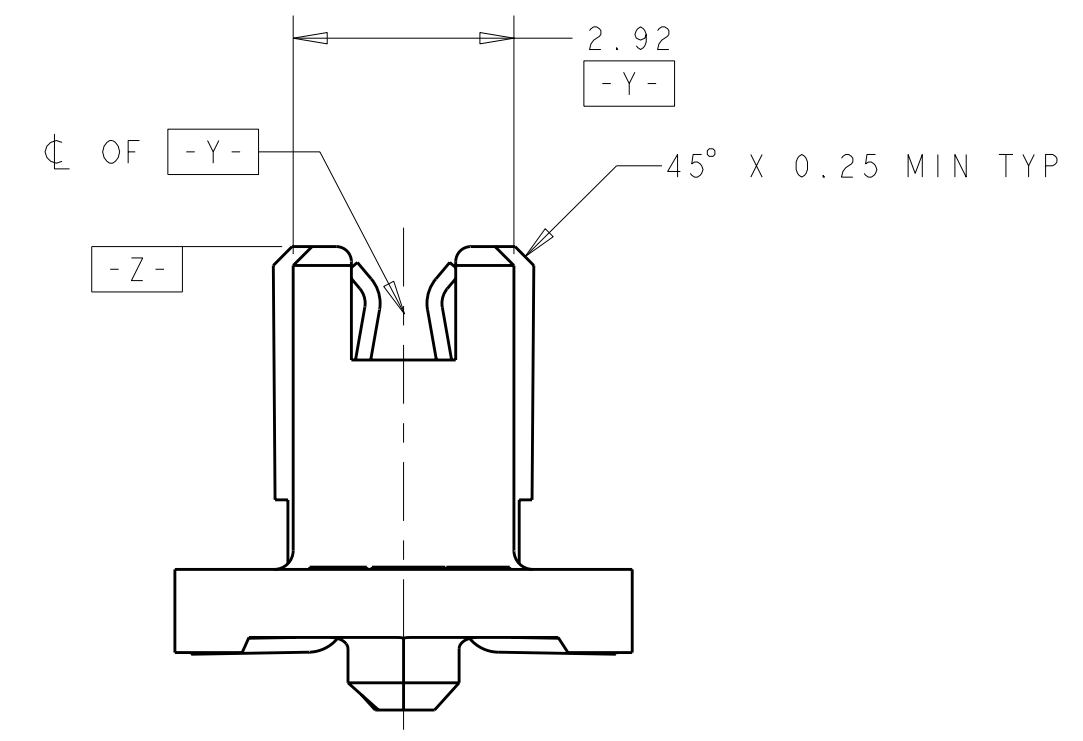
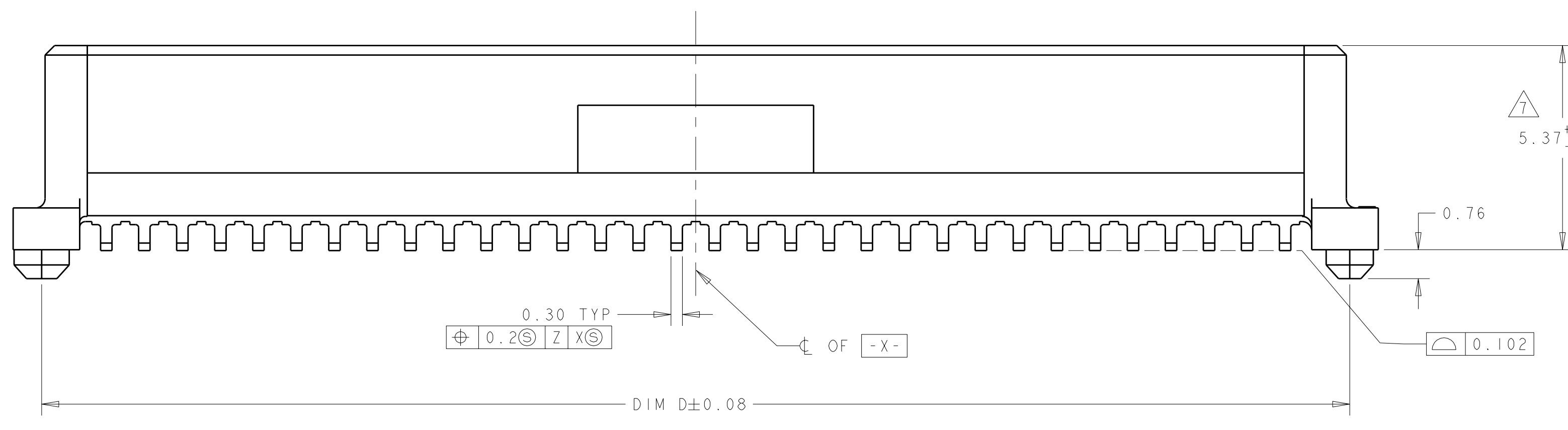
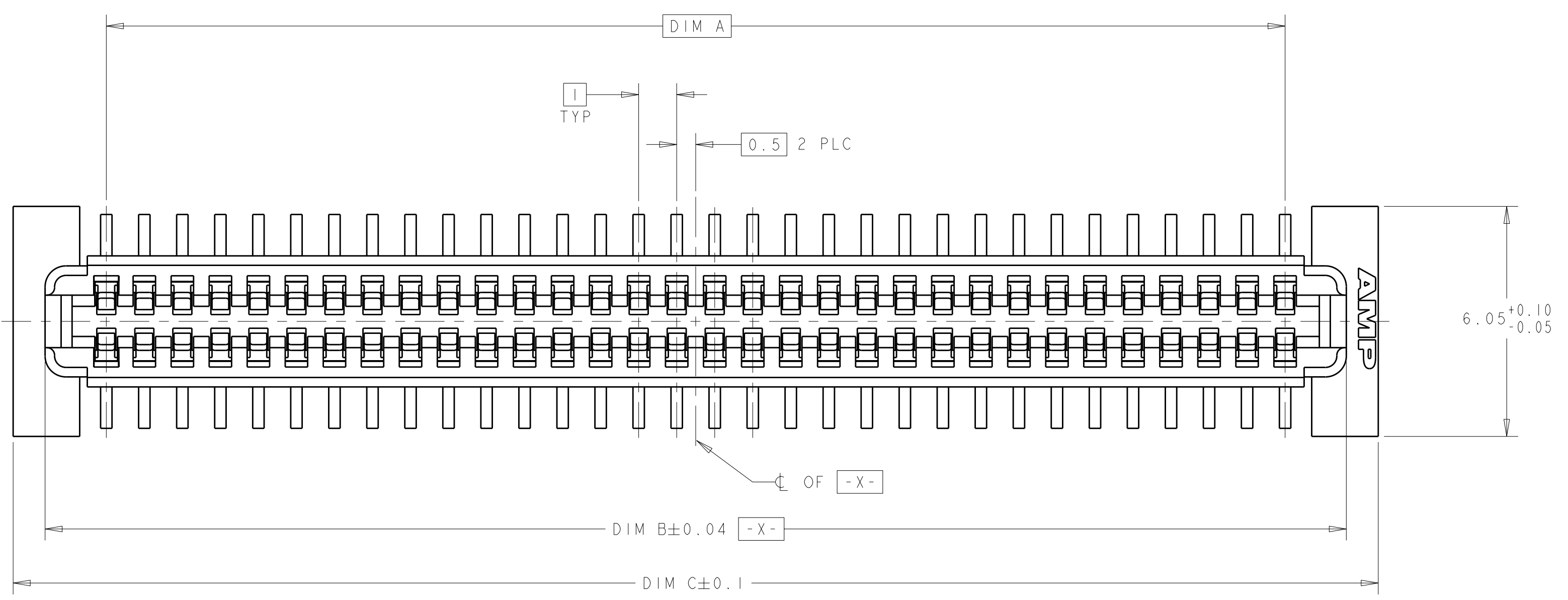


LOC	DIST	REV	DATE	BY	CHK	APPD
AD	39	G	04FEB2004	RWS	RHW	
		H	10FEB2004	RWS	RHW	
		J	10JUL2008	DH	DB	

- △ HOUSING MATERIAL: HIGH TEMPERATURE THERMOPLASTIC, COLOR; BLACK. CONTACT MATERIAL: PHOSPHOR BRONZE.
- △ CONTACT FINISH: NICKEL UNDERPLATE ALL OVER, MATING SURFACES PLATED TO MEET PLI PERFORMANCE REQUIREMENTS OF INDUSTRY SPECIFICATION EIA-700AAAAB, SOLDER TAILS PLATED TIN-LEAD.
- △ DATUM LOCATIONS AND BASIC DIMENSIONS TO BE ESTABLISHED BY THE CUSTOMER. CONSULT AMP ENGINEERING WHEN PLACING MULTIPLE CONNECTORS ON A PC BOARD.
- 4. PACKAGED IN TAPE ON REEL PER EIA-481.
- △ 1.5±0.05 DIAMETER HOLE SHOULD BE USED IF PLACED ON PCB WITH VACUUM PLACEMENT EQUIPMENT.
- △ SHORTER SOLDER LANDS MAY BE USED PER EIA 700AAAAB, HOWEVER 2.4 LENGTH ASSURES OPTIMUM SOLDER FILLET REGARDLESS OF MANUFACTURER OF CONNECTOR.
- △ REFERRED TO AS DIM H = 5.30±0.1 IN EIA700AAAAB SPECIFICATION.
- △ CONTACT FINISH: 0.00381 MINIMUM MATTE TIN-LEAD (93-7) ON SOLDER AREA, 0.00127 MINIMUM GOLD ON MATING AREA, BOTH OVER 0.00127 MINIMUM NICKEL ON ENTIRE CONTACT.



FINISH	DIM D	DIM C	DIM B	DIM A	MATING CONNECTOR	STACK HGTS	POS	PART NO
△ 8	44.4	45.9	44.22	41	120527-2	10	84	1-120521-2
△ 8	44.4	45.9	44.22	41	120526-2	9	84	1-120521-2
△ 8	44.4	45.9	44.22	41	120525-2	8	84	1-120521-2
△ 8	34.4	35.9	34.22	31	120527-1	10	64	1-120521-1
△ 8	34.4	35.9	34.22	31	120526-1	9	64	1-120521-1
△ 8	34.4	35.9	34.22	31	120525-1	8	64	1-120521-1
△ 2	44.4	45.9	44.22	41	120527-2	10	84	120521-2
△ 2	44.4	45.9	44.22	41	120526-2	9	84	120521-2
△ 2	44.4	45.9	44.22	41	120525-2	8	84	120521-2
△ 2	34.4	35.9	34.22	31	120527-1	10	64	120521-1
△ 2	34.4	35.9	34.22	31	120526-1	9	64	120521-1
△ 2	34.4	35.9	34.22	31	120525-1	8	64	120521-1

THIS DRAWING IS UNPUBLISHED. RELEASED FOR PUBLICATION. THIS IS SUBJECT TO CHANGE WITHOUT NOTICE. TOLERANCES UNLESS OTHERWISE SPECIFIED: DIMENSIONS: mm. TOLERANCES UNLESS OTHERWISE SPECIFIED: 9 PLC ±, 1 PLC ±, 3 PLC ±0.03, 5 PLC ±0.003, 4 PLC ±, ANGLES ±40°-1'.

DWN: J. REED 27/17/97  
CHK: L. VO 27/17/97  
APPD: -

AMP Tyco Electronics  
Harrisburg, PA 17105-3608

PRODUCT SPEC: 502-1079  
APPLICATION SPEC: 114-25045  
WEIGHT: -

RECEPTACLE ASSY, 1.0mm FH(IEEE1386) CONNECTOR

SIZE: 114-25045  
CAGE CODE: 00779  
DRAWING NO: C=120521

CUSTOMER DRAWING SCALE: 10:1 SHEET 1 OF 1 REV J